



DELTA "T" SYSTEMS, INC.

858 WEST 13TH COURT
RIVIERA BEACH, FLORIDA 33404 U.S.A.
www.deltatsystems.com

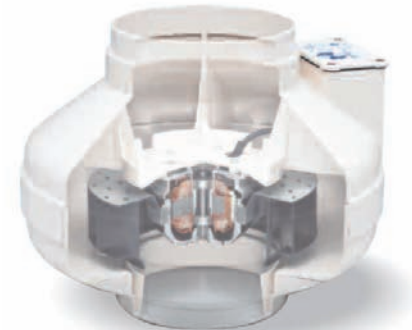
AC Inline Centrifugal Duct Fans

80XL Series Inline Centrifugal Duct Fans



**Models - 500-804XL, 500-805XL, 500-806XL,
500-808XL, 500-8010XL, 500-8012XL**

- Prewired and supplied with a mounting bracket for easy installation
- Approved for wet locations
- Suitable for airstream temperatures up to 140° F
- Easy connection using external wiring box with waterproof gasket
- 122-649 CFM
- 4" to 10" duct diameters
- 100% speed controllable



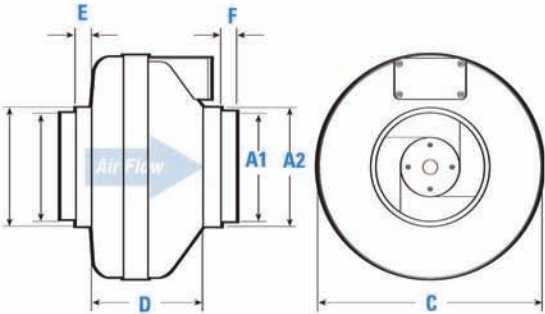
External Rotor Motor

This versatile Inline fan features a plastic housing constructed of UL-recognized, UV-protected thermoplastic resin. This tough protective shell allows the fan to be mounted in wet locations. Ideal for multiple point exhaust, dual head exhaust, or other marine applications, Delta "T" Systems' inline fans are caulked at the motor screws, the wiring cables and along the seams of the fan to prevent moisture from entering the housing.



Delta "T" Systems

DIMENSIONAL DATA



Model	†A1	A2	C	D	E	F
500-804XL	4	5	9½	6⅞	⅞	⅞
500-806XL	6	6¼	11¼	5⅞	1	⅞
500-808XL	8	10	13¼	6¼	1½	1½
500-810XL	-	10	13¼	6¼	1½	-

All dimensions in inches.
 † Duct connections are 1/8" smaller than duct size.

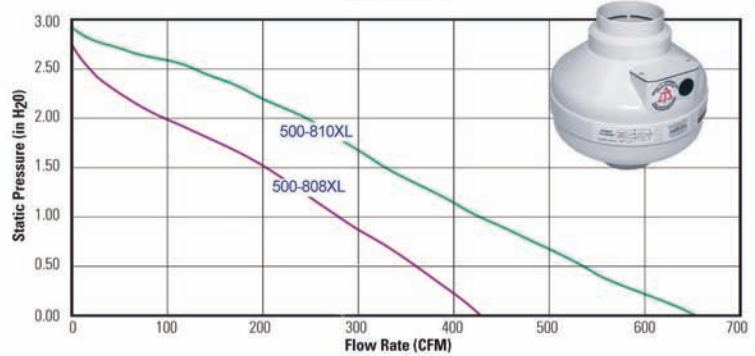
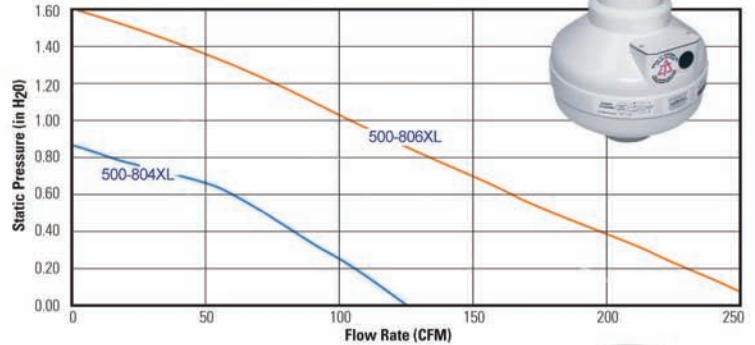


PERFORMANCE DATA

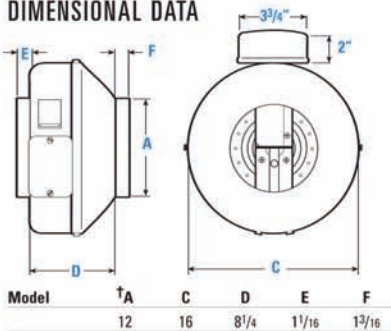
Fan Model	Energy Star	RPM	Voltage	Rated Watts	Wattage Range	Max. Amps	Static Pressure in Inches W.G.						Max. Ps	Duct Dia.	
							0"	.2"	.4"	.6"	.8"	1.0"			1.5"
500-804XL	✓	2900	115	19	13 - 19	0.18	122	100	78	55	15	—	—	0.87"	4"
500-806XL	✓	2750	120	71	54 - 72	0.67	263	230	198	167	136	106	17	1.58"	6"
500-808XL	✓	3100	115	137	111 - 152	1.35	429	400	366	332	297	260	168	2.48"	8"
500-810XL	—	2850	115	241	146 - 248	2.40	649	600	553	506	454	403	294	2.58"	10"

Performance shown is for installation type D - Ducted inlet, Ducted outlet. Speed (RPM) shown is nominal. Performance is based on actual speed of test.
 Performance ratings do not include the effects of appurtenances in the airstream.

AIR PERFORMANCE GRAPHS



DIMENSIONAL DATA



Model	†A	C	D	E	F
500-812XL	12	16	8¼	1⅞	1⅞

All dimensions in inches. † Duct connections are 1/8" smaller than duct size.

PERFORMANCE DATA

Fan Model	Energy Star	RPM	Voltage	Rated Watts	Max. Amps	Static Pressure in Inches W.G.										Max. Ps	Duct Dia.	
						0"	0.1"	0.2"	0.4"	0.6"	0.8"	1.0"	1.25"	1.5"	2.0"			2.5"
500-812XL	✓	2600	120	181	1.87	741	711	680	601	515	434	363	290	236	146	72	2.99	12"

Performance certified is for installation type D - Ducted inlet, Ducted outlet. Speed (RPM) shown is nominal. Performance is based on actual speed of test.
 Performance ratings do not include the effects of appurtenances (accessories).

